
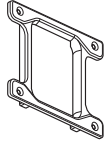
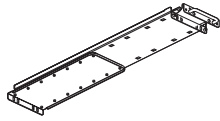


01 UNPACKING

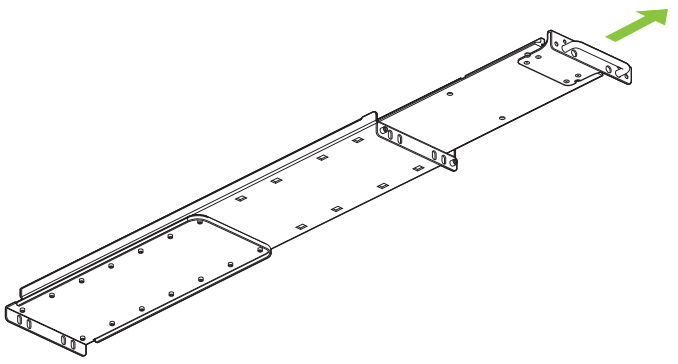
Unpacking the NVIDIA Quadro Plex Rack-mount Kit

One rack-mount kit has all the hardware necessary to install one NVIDIA Quadro Plex 7000 in a standard 19-inch Electronics Industries Alliance (EIA) cabinet. Note that the NVIDIA Quadro Plex 7000 takes up half the width space in a rack which allows two Quadro Plex's to be rack-mounted side-by-side.

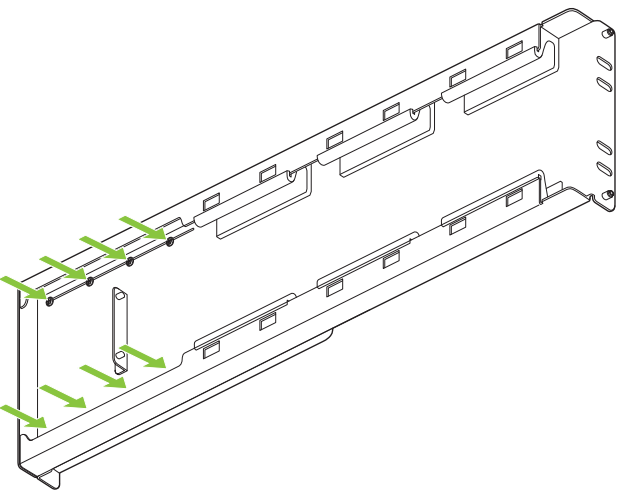
 <p>Two (2) Thumb Screws Used to secure the NVIDIA Quadro Plex 7000 to the rack and side rail.</p>	 <p>4x One (1) Rear Alignment Bracket, Connects two Quadro Plex 7000 units when mounting side by side in a rack.</p>	 <p>8x One (1) Side Rail, Eight (8) Screws Used to mount the NVIDIA Quadro Plex 7000 in a standard 19" EIA rack.</p>
--	--	--

02 RACK-MOUNT INSTALLATION (CONT'D)

1 Slide the bracket assembly out of the rack side panel.



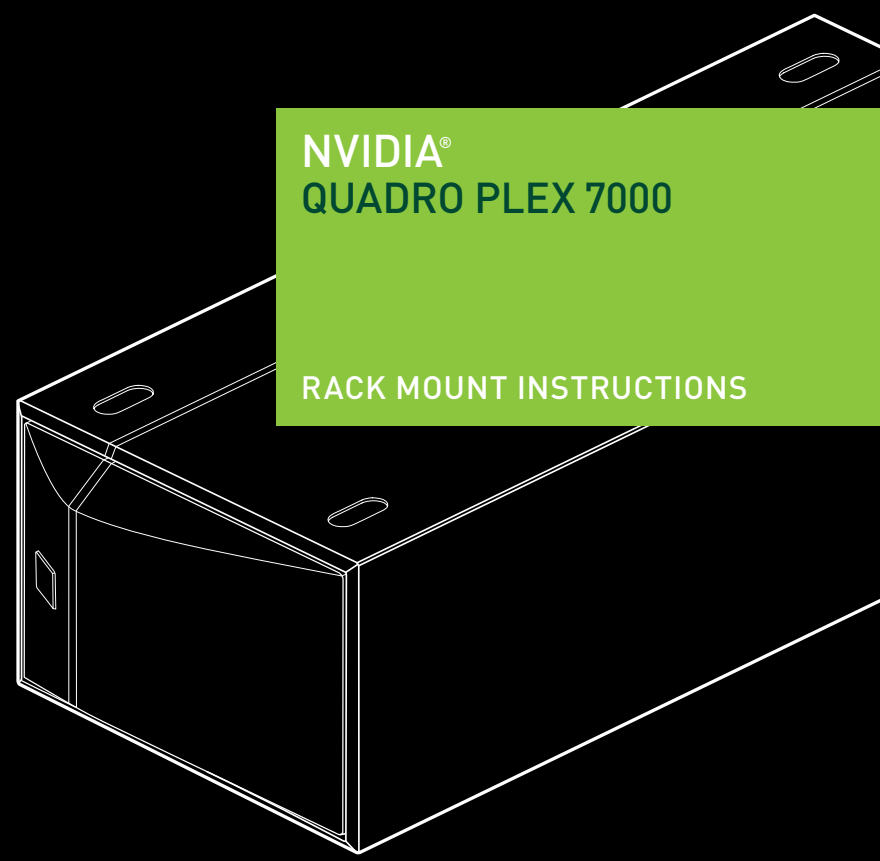
2 Adjust the rack side panel to fit the rack. Loosen eight (8) screws to adjust the length of the side-panel.



3 Install the side panel into the cabinet.

NVIDIA® QUADRO PLEX 7000

RACK MOUNT INSTRUCTIONS



02 RACK-MOUNT INSTALLATION

Connecting to a Host System

Refer to the NVIDIA Quadro Plex 7000 Quick Start Guide for instructions on preparing the host system and installing the interface card.

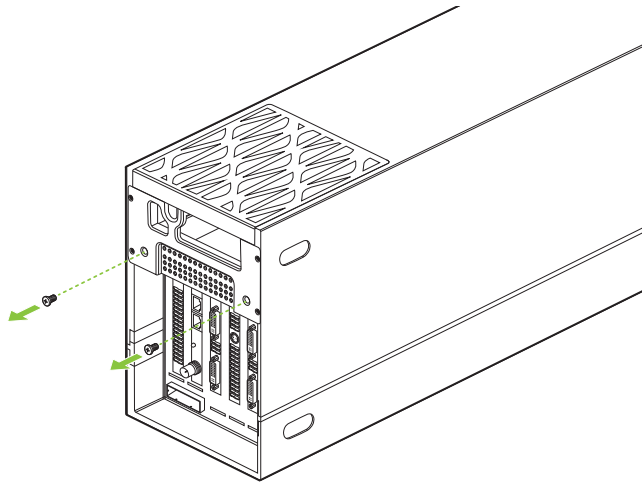
Rack-mount Installation

Use the following procedure to install the NVIDIA Quadro Plex 7000 into a standard 19-inch EIA equipment cabinet. You will need a Phillips #2 screw driver to install the rack mount kit hardware. The NVIDIA Quadro Plex 7000 must be mounted within 2 meters of the host system.

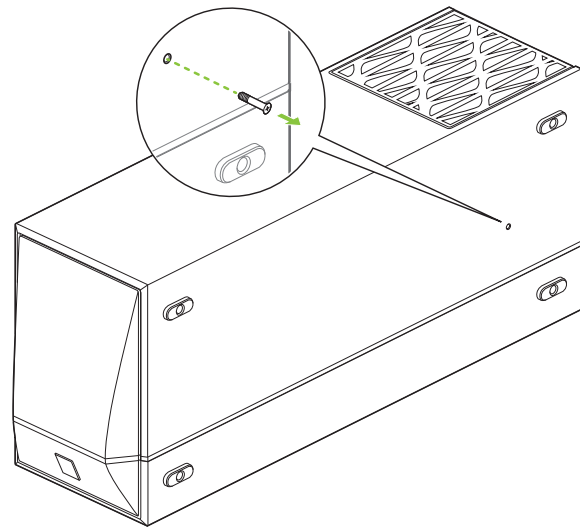
Note: The hardware in the rack-mount kit is intended for a standard 19" EIA rack only.



- 4 Remove the two (2) screws holding the aluminum shells to the Quadro Plex 7000 chassis.

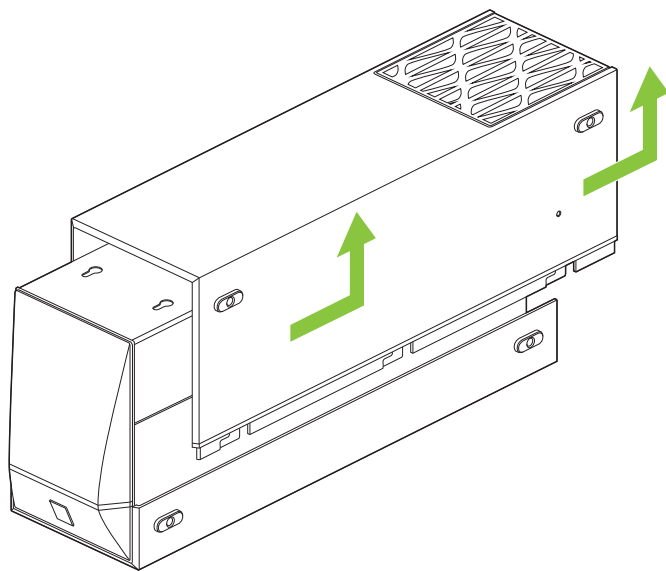


- 5 Remove screw from the bottom of the Quadro Plex 7000 Chassis



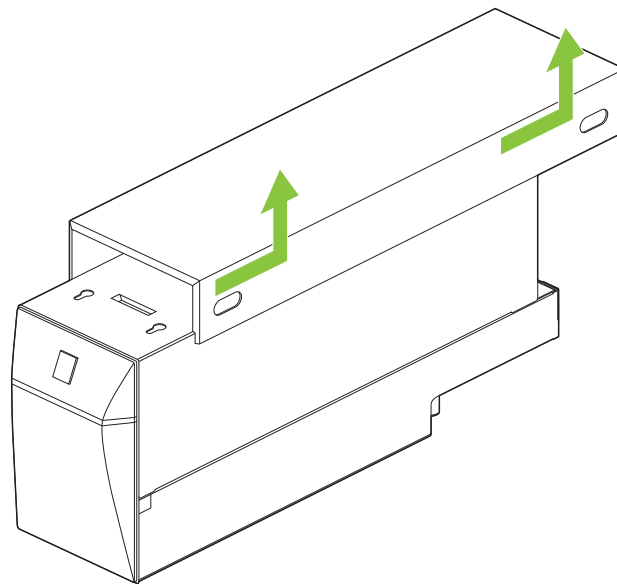
- 6 Place the Quadro Plex 7000 silver side down.

- 7 Push the black aluminum shell towards the display connectors until it stops. Slide up and remove the black shell. You may need to slide the black shell forward slightly to release the retaining clips before you can lift up.



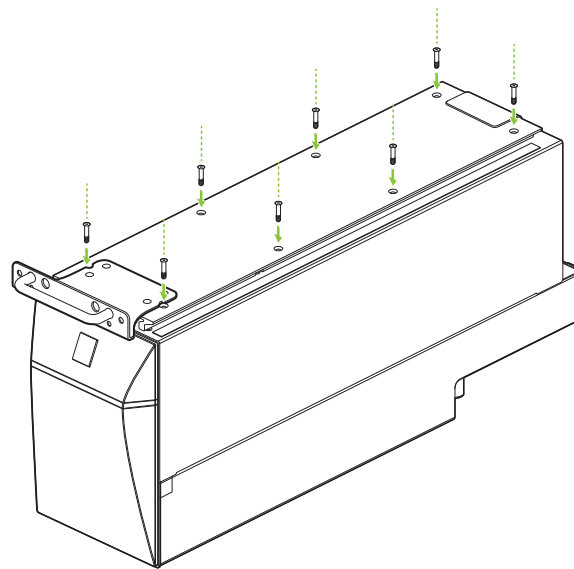
- 8 Rotate the Quadro Plex 7000 over so the silver side is up.

- 9 Push the silver aluminum shell towards the display connectors until it stops. Slide up and remove the silver aluminum shell. You may need to slide the silver shell forward slightly to release the retaining clips before you can lift up.

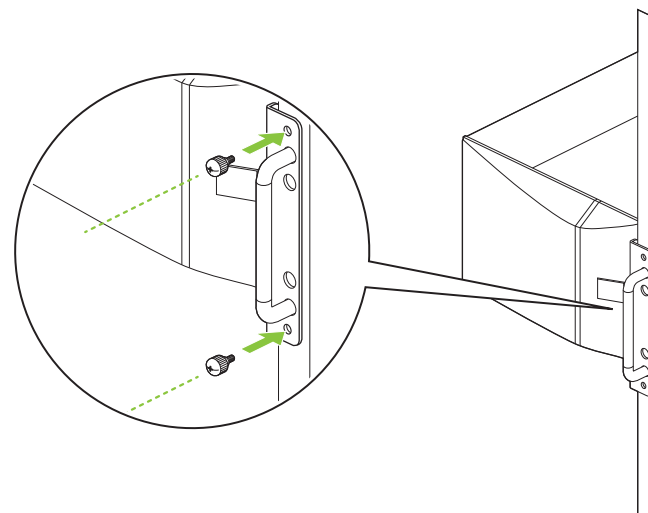


- 10 Reinstall the two screws removed in Step 4.

- 11 Place the front handle bracket on top of the Quadro Plex 7000 and attach with the eight (8) screws provided in the box.



- 12 Slide the Quadro Plex 7000 into the side bracket installed in the cabinet in Step 3. Be sure to line up the alignment bracket on the Quadro Plex 7000 to the alignment pins on the side panel.



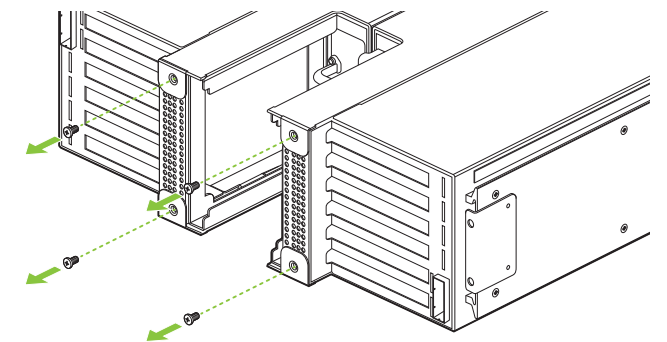
- 13 Secure the Quadro Plex 7000 to the rack and side panel using the two (2) thumb screws provided in the kit.

- 14 If needed, remove and rotate the NVIDIA logo on the front Quadro Plex 7000 bezel.

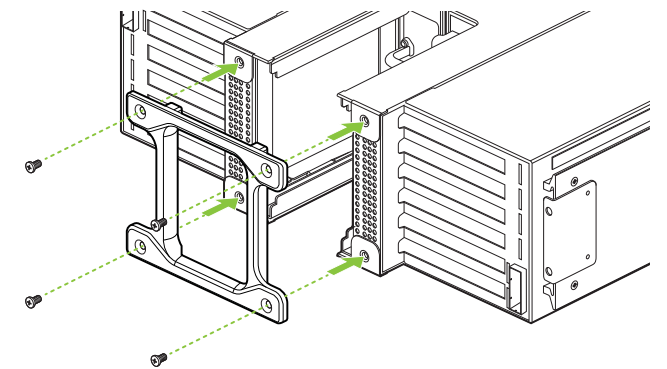
Note: If you are installing one Quadro Plex 7000 into the rack, go to Step 19. If you are installing a second Quadro Plex 7000 into the rack next to the first Quadro Plex 7000, you need to continue with Step 5.

- 15 Prepare the second Quadro Plex 7000 following Steps 1 through 14.

- 16 On each Quadro Plex 7000, remove the two screws that you removed in Step 4.



- 17 Install the Alignment bracket and attach with the four (4) screws included in the box.



- 18 Connect the power cord to the Quadro Plex 7000.

- 19 Connect the Interconnect Cable to the Quadro Plex 7000 and the Workstation.

- 20 If using the Dual Host Interface Card in the workstation, connect the G-Sync board in each Quadro Plex 7000 with a G-Sync cable.

- 21 Connect DVI cables from the display(s) to the Quadro Plex 7000 DVI connectors.

Refer to the NVIDIA Quadro Plex 7000 Quick Start Guide for instructions on installing the drivers in a Windows or Linux environment.

Note: On the Quadro Plex 7000, the primary boot monitor is defined by your motherboard and SBIOS. To help you determine which GPU will drive the primary boot display, there is an orange LED between the DVI connectors which will illuminate on the primary GPU.